

Products > Jewel Bearings > Cup Jewel Bearings > C2.54

# Cup Jewel Bearings - C2.54

## Specifications

<b>Model</b>	C2.54
<b>Outside Diameter</b>	.098/ .102"
<b>Thickness</b>	.047/ .053"
<b>Radius</b>	.037/ .039"
<b>Depth</b>	.024/ .028"
<b>Type</b>	Cup Jewel



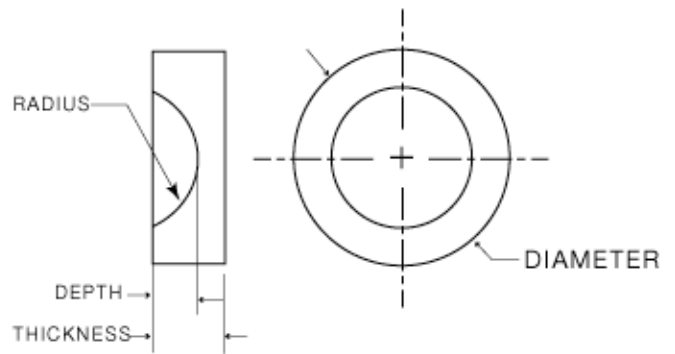
Custom Options Available

### Description

A cup jewel is generally used with a semi-spherical pivot or in a design that fits a ball bearing between two cup jewels. Cup jewels are widely used for vertical shaft applications.

## Typical Applications

- Meters
- Compasses
- Heat Monitors



## NOT SEEING EXACTLY WHAT YOU NEED?

We at the Swiss Jewel Company specialize in creating a wide range of custom optical components and custom mechanical components including a variety of shapes - from internal holes and tapers to outer flanges, angles and surface finishes. Contact us and we will consult with you to create a custom component that meets all of your specifications.